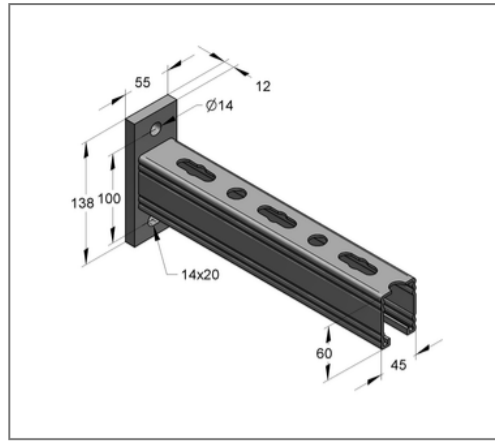
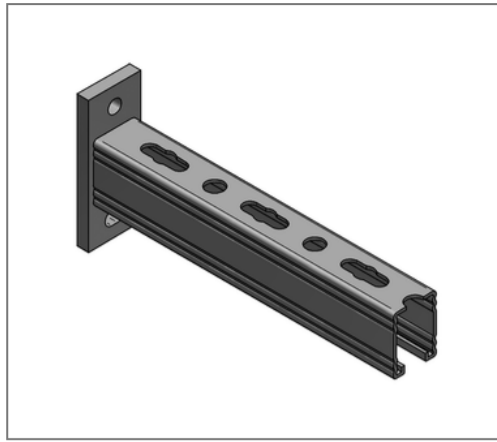


## ■ Console C-profile 45/60 L= 735 mm Plate vertical galv.



### Commercial details

Part no.	18050735
EAN/GTIN	4250928437662
Packing unit	5 pcs
Quantity unit	pcs
Weight	3,65 kg/pc
Product group	02-083
Price unit	1

### QR code



### Specification

Application area	Console for the production of cantilever structures for the support of suspended and standing pipe loads.
------------------	---

### Technical data

Material	Steel
Surface	galvanized

### Product details

Width plate	55 mm
Length plate	138 mm
Hole distance	100 mm
Plate thickness	12 mm
Width profile	45 mm
Profile height	60 mm
Length console L	735 mm
Elongated hole plate	14x20 mm
load F1	3,11 kN
load F2	1,45 kN
load q0	4,24 kN/m
Profile thickness	3 mm