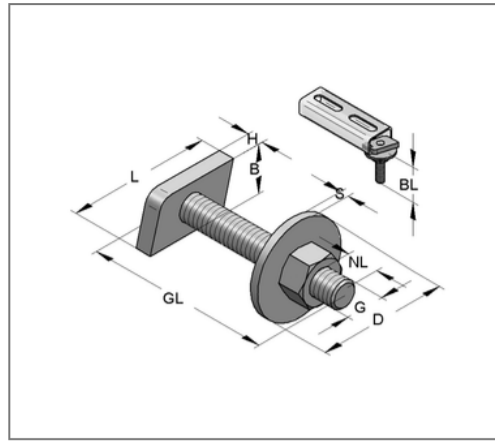
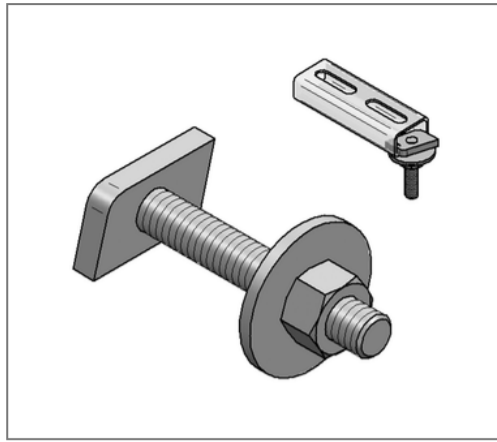


■ Hammer head C-profile 27 M8 x 40 mm



Commercial details

Part no.	0695327
EAN/GTIN	4250928415752
Packing unit	100 pcs
Quantity unit	pcs
Weight	0,0311 kg/pc
Product group	02-069
Price unit	100

QR code



Specification

Application area	Should preferably be used for pipe clamp mounting
Profile type	27
Type of attachment	For glide fast connections and shear hole haunch connections with MEFA profile rails

Technical data

Material	Steel
Material type	S235
Surface	galvanized

Product details

Thread G	M8
Length thread GL	40 mm
Usable length NL	26,3 mm
Overall length BL	35 mm
Length hammer head L	24 mm
Width hammer head H	13 mm
Thickness hammer head H	4 mm
Diameter washer D	25 mm
Thickness washer S	2 mm