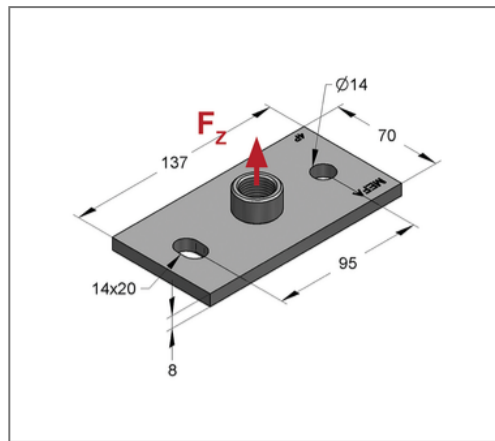
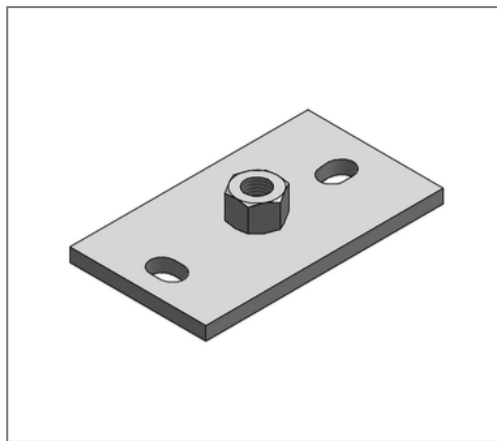


## ■ Base plate Type III Connection M16 Plate 137x70x8 mm



### Commercial details

Part no.	059060101
EAN/GTIN	4250928447852
Packing unit	1 pcs
Quantity unit	pcs
Weight	0,628 kg/pc
Product group	05-059
Price unit	100

### QR code



### Specification

Number of fixing holes	2 pcs
------------------------	-------

### Product details

Connection	M16
Length	137 mm
Width	70 mm
Thickness	8 mm
load $F_z$	10 kN
Elongated hole	14x20 mm
Hole distance lengthwise	95 mm

### Technical data

Material	Steel
Material type	S235
Surface	galvanized

### Remark

Note	suitable sound-decoupling see chapter 3a
------	--