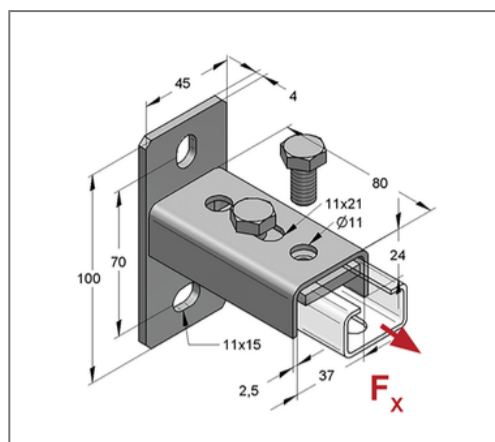
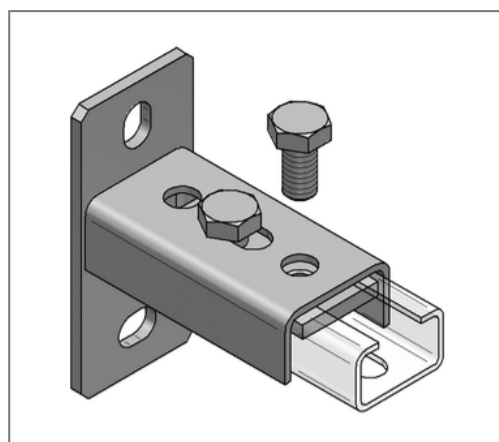


■ Holder C-profile 35 vertical for C-profile 35, Stex 35 galv.



Commercial details

Part no.	080213402
EAN/GTIN	4250928419255
Packing unit	25 pcs
Quantity unit	pcs
Weight	0,374 kg/pc
Product group	02-081
Price unit	1

QR code



Specification

Application area	holder for fastening profile rails directly to the building structure, complete with connecting components.
Profile type	35, Stex 35
Profile	C-profile
Type of attachment	building structure
Delivery	Pre-assembled with: 2-hole threaded plate M10 and Hexagon screw M10

Technical data

Material	Steel
Material type	S235
Surface	galvanized

Product details

load F_x	2 kN
Elongated hole	11x15 mm
Length plate	100 mm
Width plate	45 mm
Plate thickness	4 mm
Alignment of plate	vertical
Hole distance	70 mm
max. profile height	42 mm