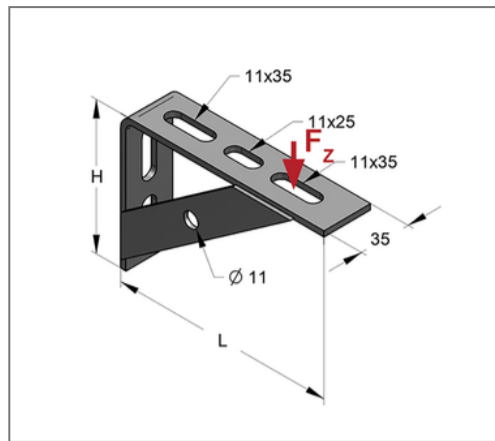


■ Knot console L with 1 brace 100 x 152 x 4 mm



Commercial details

Part no.	0803100
EAN/GTIN	4250928419279
Packing unit	25 pcs
Quantity unit	pcs
Weight	0,299 kg/pc
Product group	02-083
Price unit	1

QR code



Specification

Application area	Angle bracket with one struts, suitable for mounting rails or for wall mounting.
------------------	----------------------------------------------------------------------------------

Technical data

Material	Steel
Material type	S235
Surface	galvanized

Product details

Höhe H	100 mm
Length L	152 mm
Thickness S	4 mm
load F_z	2,5 kN
Load at length	120 mm