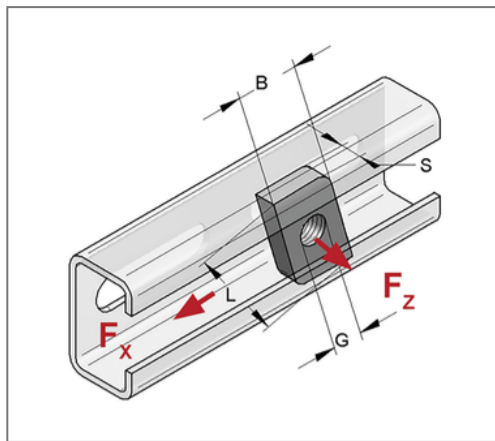
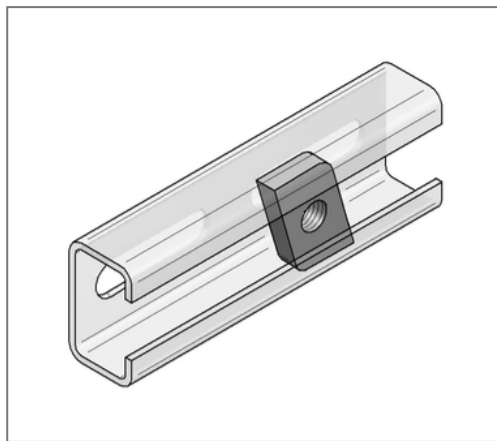


■ Threaded plate M10 38x17 galv.



Commercial details

Part no.	0750085
EAN/GTIN	4250928417145
Packing unit	100 pcs
Quantity unit	pcs
Weight	0,0225 kg/pc
Product group	02-075
Price unit	100

QR code



Technical data

Material	Steel
Material type	S235
Surface	galvanized

Product details

Loading capacity	see loads in the catalogue
Length L	35 mm
Width B	18 mm
Material thickness S	6 mm
Thread G	M10
Profile type	35, Stex 35
Shape	pivoted
Plate type	38x17