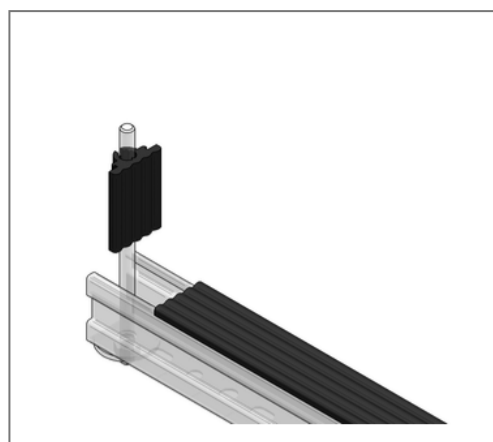
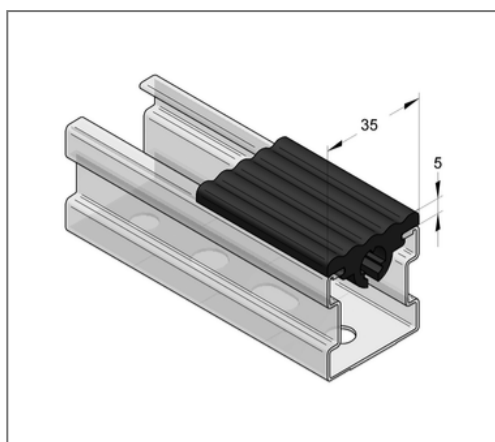
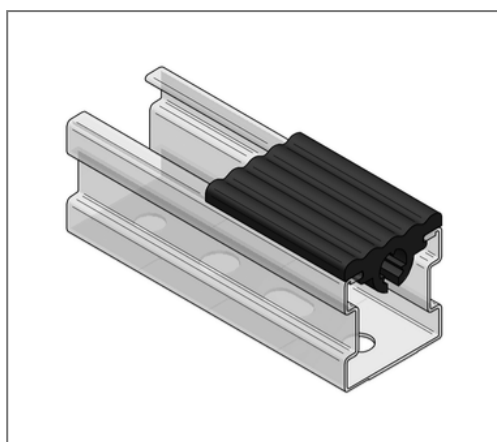


## ■ Sound insulation lining C-profile Stex 35 50 mm Plastic



### Commercial details

Part no.	1272020
EAN/GTIN	4250928424389
Packing unit	50 pcs
Quantity unit	pcs
Weight	0,0160 kg/pc
Product group	02-127
Price unit	1

### QR code



### Certification



### Specification

Application	c-profile lining between profile rail and part to be supported (e.g. ventilation ducts).
Specification	Slip-on profile for quick mounting
Type of attachment	clamping

### Product details

Width	35 mm
Length	50 mm

### Technical data

Material	Plastic
Material type	TPE
min. temperature resistance	-35 °C
max. temperature resistance	100 °C
Colour	black