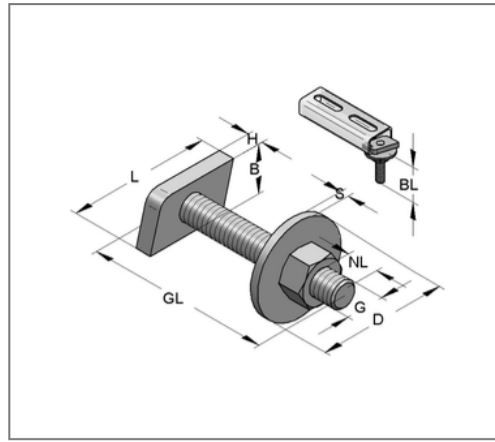
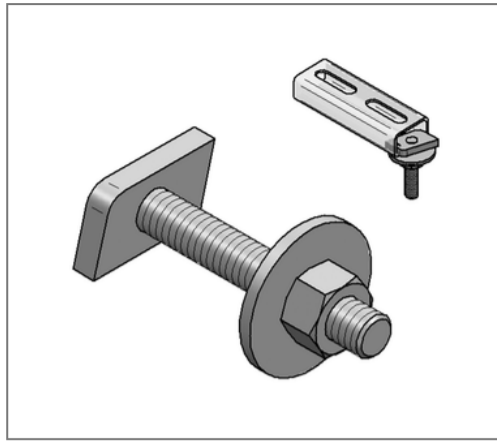


## ■ Hammer head C-profile 27 M8 x 30 mm



### Commercial details

Part no.	0695300
EAN/GTIN	4250928415745
Packing unit	100 pcs
Quantity unit	pcs
Weight	0,0279 kg/pc
Product group	02-069
Price unit	100

### QR code



### Specification

Application area	Should preferably be used for pipe clamp mounting
Profile type	27
Type of attachment	For glide fast connections and shear hole haunch connections with MEFA profile rails

### Technical data

Material	Steel
Material type	S235
Surface	galvanized

### Product details

Thread G	M8
Length thread GL	30 mm
Usable length NL	16,3 mm
Overall length BL	25 mm
Length hammer head L	24 mm
Width hammer head H	13 mm
Thickness hammer head H	4 mm
Diameter washer D	25 mm
Thickness washer S	2 mm