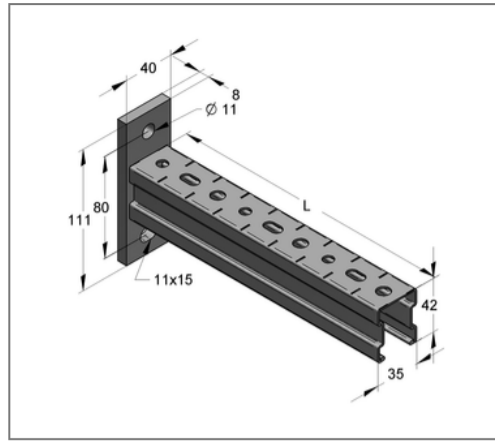
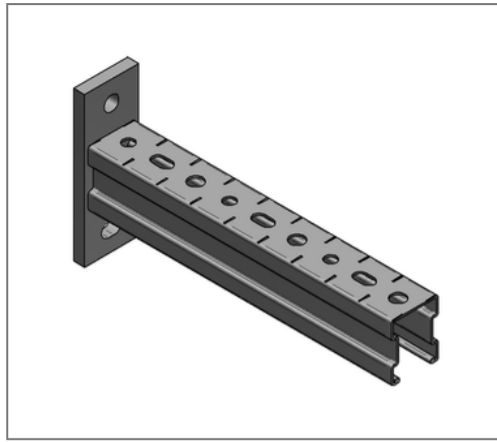


## ■ Console Stex 35/42 L= 300 mm Plate vertical galv.



### Commercial details

Part no.	12760300
EAN/GTIN	4250928424549
Packing unit	20 pcs
Quantity unit	pcs
Weight	0,752 kg/pc
Product group	02-127
Price unit	1

### QR code



### Specification

Application area	Console for the production of cantilever structures for the support of suspended and standing pipe loads.
------------------	---

### Technical data

Material	Steel
Surface	galvanized

### Product details

Width plate	40 mm
Length plate	111 mm
Hole distance	80 mm
Plate thickness	8 mm
Width profile	35 mm
Profile height	42 mm
Length console L	300 mm
Elongated hole plate	11x15 mm
load F1	2,08 kN
load F2	1,04 kN
load q0	6,95 kN/m
Profile thickness	1,5 mm