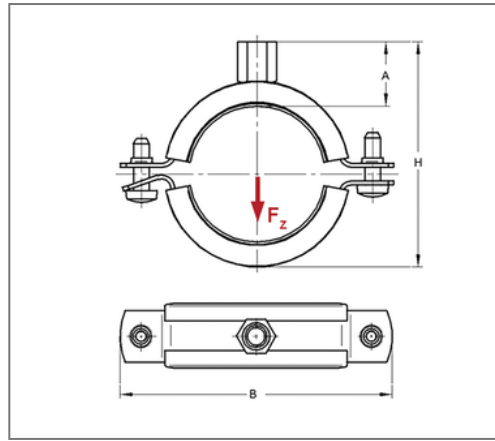


## ■ Pipe clamp Trabant 25x1,5 70 - 76 mm M8/M10 TPE



### Commercial details

Part no.	042672101
EAN/GTIN	4250928409263
Packing unit	50 pcs
Quantity unit	pcs
Weight	0,150 kg/pc
Product group	01-042
Price unit	100

### QR code



### Certification



### Specification

Application area	Pipe clamp for fixing pipes.
Specification	two-part
Connection	M8/M10
Closure	Snap-in closure

### Technical data

Material	Steel
Material type	DD11
Surface	galvanized
Insulation thickness	4,5 mm
Temperature resistance	-35 °C - 100 °C
Sound insulation lining	TPE

### Product details

Connection height A	22 mm
Width B	122 mm
Colour sound insulation lining	black
Höhe H	98 - 104 mm
Material dimension	25x1,5 mm
load $F_z$	0,89 kN
Clamping range	70 - 76 mm
Closure screw	M6

### Remark

Notice	suitable connection adapter see chapter 1
--------	---