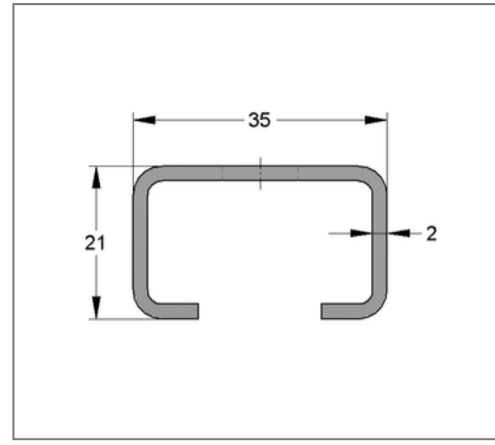
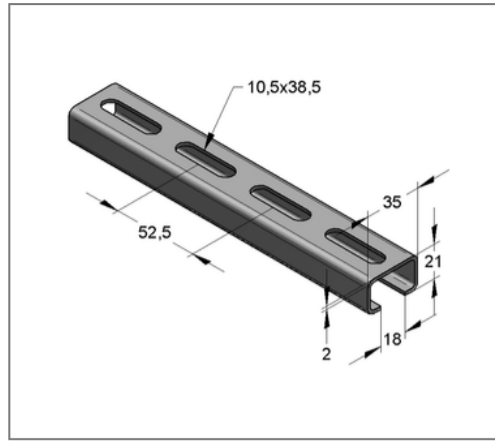
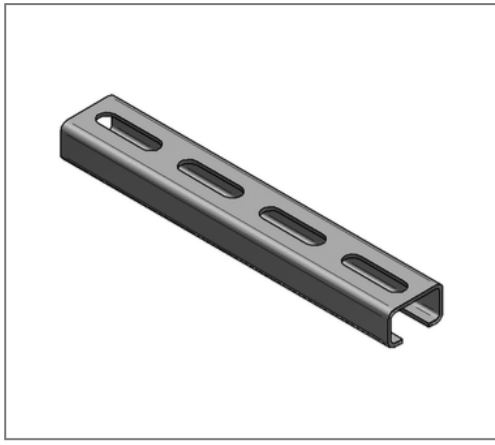


## ■ Profile rail C-profile 35 / 21 / 2 mm L= 2 m pre-galv.



### Commercial details

Part no.	0800022
EAN/GTIN	4250928419156
Packing unit	12 m
Bundle	192 m
Quantity unit	m
Weight	1,16 kg/m
Product group	02-080
Price unit	1

### QR code



### Certification



### Specification

Application area	Lightweight profile rail
------------------	--------------------------

### Technical data

Material	Steel
Material type	S250
Surface	pre-galvanized

### Product details

Width	35 mm
Height	21 mm
Thickness	2 mm
Length	2 m
Elongated hole	10,5x38,5 mm
Area (least cross section of the profile rail)	1,40 cm <sup>2</sup>
Axial angular impulse I <sub>y</sub>	0,80 cm <sup>4</sup>
Axial angular impulse I <sub>z</sub>	2,83 cm <sup>4</sup>
Grid dimension	52,5 mm
Rail slot width	18,0 mm
Centroid distance e <sub>o</sub>	0,96 cm
Centroid distance e <sub>u</sub>	1,14 cm
Centroid distance e <sub>z</sub>	1,75 cm
Elastic limit	250 N/mm <sup>2</sup>
Radius of inertia i <sub>y</sub>	0,76 cm

### Remark

Notice	Full bundles, only
--------	--------------------

## Product details

Radius of inertia $i_z$	1,42 cm
Section modulus $W_Y$	0,71 cm <sup>3</sup>
Section modulus $W_Z$	1,61 cm <sup>3</sup>