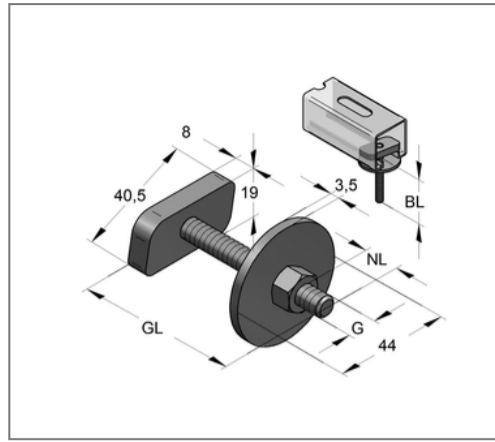
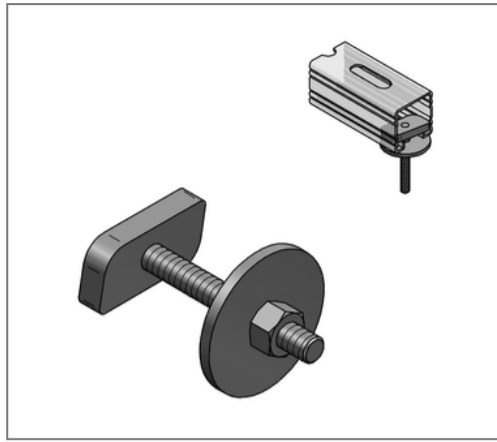


■ Hammer head C-profile 45 M10 x 70 mm



Commercial details

| | |
|---------------|---------------|
| Part no. | 0699270 |
| EAN/GTIN | 4250928415936 |
| Packing unit | 50 pcs |
| Quantity unit | pcs |
| Weight | 0,127 kg/pc |
| Product group | 02-069 |
| Price unit | 100 |

QR code



Specification

| | |
|--------------------|--|
| Application area | Direct attachment of pipe clamps to profile rails. |
| Profile type | 45 |
| Type of attachment | glide fast connection |

Technical data

| | |
|---------------|------------|
| Material | Steel |
| Material type | S235 |
| Surface | galvanized |

Product details

| | |
|-----------------------|---------|
| Thread G | M10 |
| Length thread GL | 70 mm |
| Usable length NL | 43 mm |
| Overall length BL | 54,5 mm |
| Length hammer head | 40,5 mm |
| Width hammer head | 19 mm |
| Thickness hammer head | 8 mm |
| Diameter washer | 44 mm |
| Thickness washer | 3,5 mm |