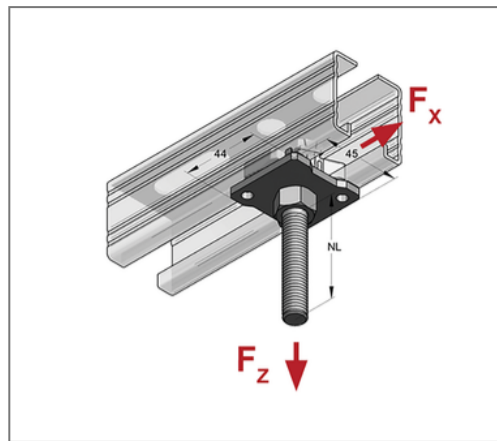
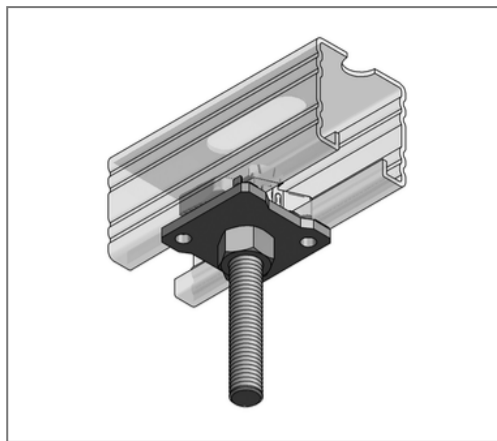


■ Stex 45 Threaded bolt GB M10 x 130 mm



Commercial details

Part no.	1282130
EAN/GTIN	4250928424822
Packing unit	20 pcs
Quantity unit	pcs
Weight	0,188 kg/pc
Product group	02-128
Price unit	1

QR code



Specification

Application quick-fixing system for direct pipe clamp
area attachment to Stex profile rails with permanently
integrated threaded bolt and nut.

Technical data

Material	Steel
Material type	S235
Surface	galvanized
Strength class	4.6

Product details

Thread	M10
Length thread	130 mm
Usable length	90 mm