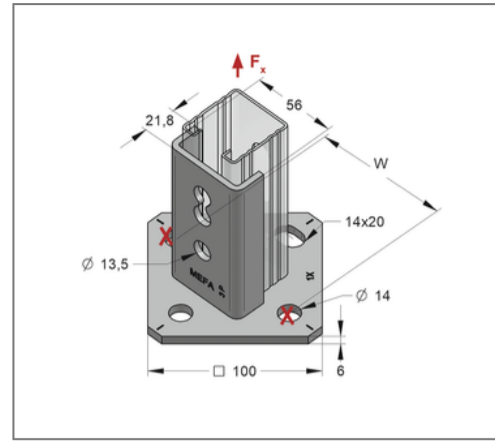
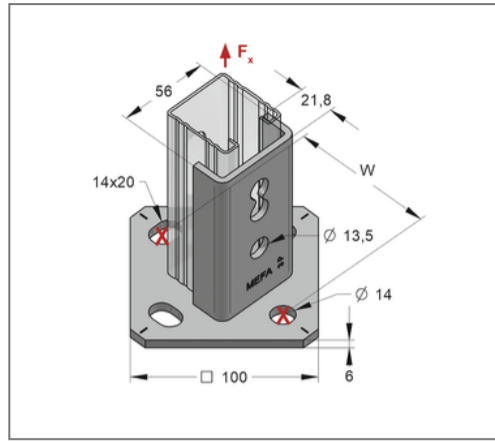
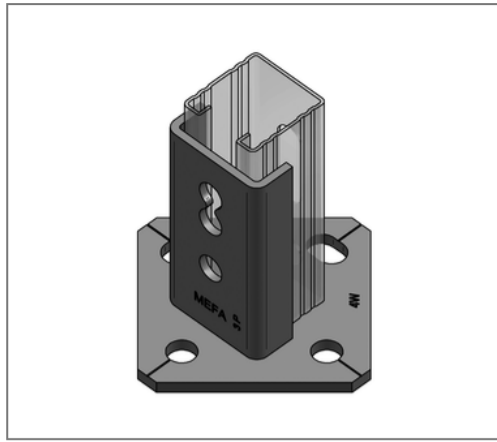


## ■ Holder C-profile 45 vertical / horizontal for C-profile 45/26 - 45/52 hot-dip galv.



### Commercial details

Part no.	0812002
EAN/GTIN	4250928459251
Packing unit	10 pcs
Quantity unit	pcs
Weight	0,746 kg/pc
Product group	02-081
Price unit	1

### QR code



### Certification



### Specification

Application area	for fixation of profile rails on construction
Profile type	45/26 - 45/52
Profile	C-profile
Type of attachment	on the building structure, necessary dowel holes at X

### Technical data

Material	Steel
Material type	S235
Surface	hot-dip galvanized

### Product details

load $F_x$	15 kN
Hole-Ø	14 mm
Length plate L	100 mm
Width plate B	100 mm
Plate thickness	6 mm
Alignment of plate	vertical / horizontal
Hole distance W	88 mm
max. profile height	52 mm

### Remark

Notice For hot-dip galvanized parts, dimensional deviations up to 1 mm are possible.