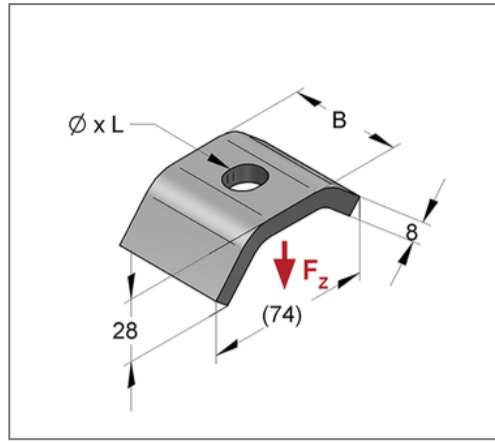
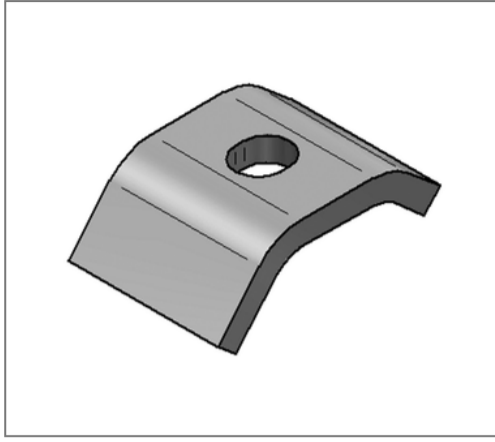


■ Clamping claw C-profile 35 for threaded pin M10



Commercial details

Part no.	0814591
EAN/GTIN	4250928420060
Packing unit	50 pcs
Quantity unit	pcs
Weight	0,170 kg/pc
Product group	02-081
Price unit	1

QR code



Specification

Application area	half part for clamping claws assembly kit.
Profile type	35, Stex 35

Technical data

Material	Steel
Material type	S235
Surface	galvanized

Product details

Width	35 mm
Height	28 mm
load F_z	6,7 kN
Length	74 mm
Elongated hole	12x18 mm
Thickness	8 mm
Tightening torque	5 Nm
For thread	M10