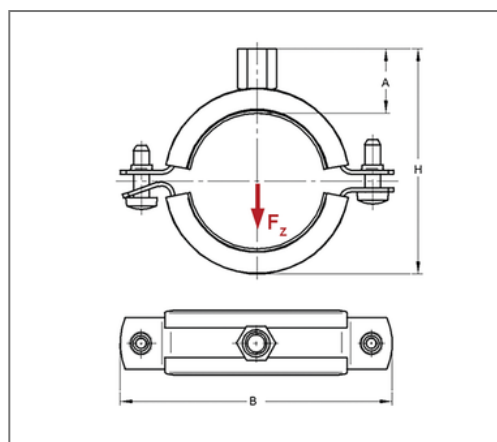


## ■ Pipe clamp Trabant 20x1,5 42 - 46 mm M8/M10 EPDM



### Commercial details

|               |               |
|---------------|---------------|
| Part no.      | 042646101     |
| EAN/GTIN      | 4250928409225 |
| Packing unit  | 50 pcs        |
| Quantity unit | pcs           |
| Weight        | 0,0940 kg/pc  |
| Product group | 01-042        |
| Price unit    | 100           |

### QR code



### Certification



### Specification

|                  |                              |
|------------------|------------------------------|
| Application area | Pipe clamp for fixing pipes. |
| Specification    | two-part                     |
| Connection       | M8/M10                       |
| Closure          | Snap-in closure              |

### Technical data

|                         |                 |
|-------------------------|-----------------|
| Material                | Steel           |
| Material type           | DD11            |
| Surface                 | galvanized      |
| Insulation thickness    | 4,5 mm          |
| Temperature resistance  | -35 °C - 100 °C |
| Sound insulation lining | Rubber EPDM     |

### Product details

|                                |            |
|--------------------------------|------------|
| Connection height A            | 23 mm      |
| Width B                        | 92 mm      |
| Colour sound insulation lining | black      |
| Höhe H                         | 71 - 75 mm |
| Material dimension             | 20x1,5 mm  |
| load $F_z$                     | 0,89 kN    |
| Clamping range                 | 42 - 46 mm |
| Outside pipe diameter inch     | 1 1/4 inch |
| Closure screw                  | M6         |

### Remark

|        |   |
|--------|---|
| Notice | suitable connection adapter see chapter 1 |
|--------|---|