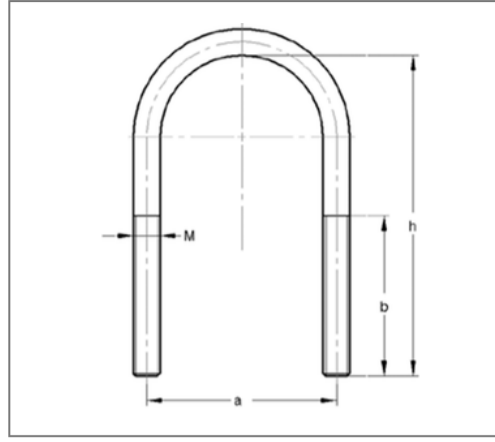


## ■ U-bolt 219,1 mm M12 total height 300 mm



### Commercial details

Part no.	0507219
EAN/GTIN	4250928414366
Packing unit	25 pcs
Quantity unit	pcs
Weight	0,525 kg/pc
Product group	01-050
Price unit	1

### QR code



### Certification



### Specification

Application area	for direct installation of piping onto steel structures and suitable for push-through-assembling into profile rails. Suitable for sprinkler
------------------	---

Specification	similar to DIN 3570
---------------	---------------------

### Technical data

Material	Steel
Material type	S235
Surface	galvanized

### Product details

Center distance a	233 mm
Height h	300 mm
Outside pipe diameter inch	8 inch
Thread M	M12
Length thread b	95 mm
Outer pipe diameter	219,1 mm

### Remark

Notice	without nut
Note	VdS - G 494 0029