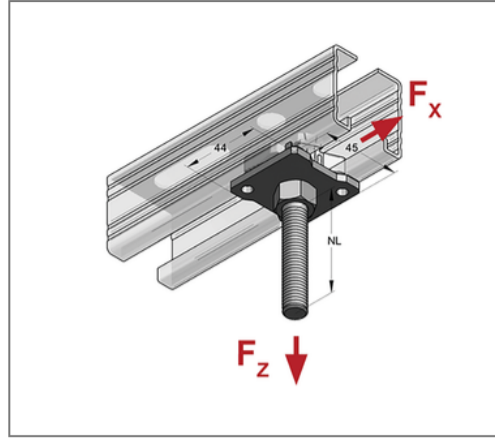
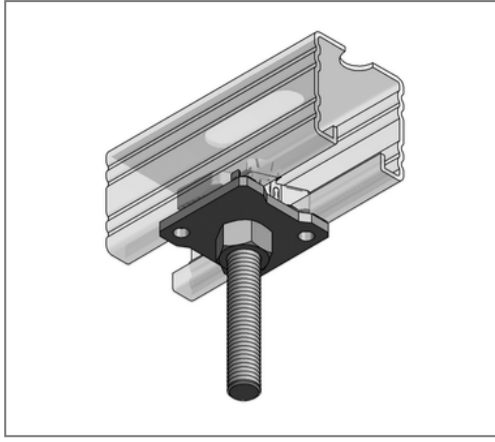


■ Stex 45 Threaded bolt GB M8 x 70 mm



Commercial details

| | |
|---------------|---------------|
| Part no. | 1281070 |
| EAN/GTIN | 4250928424747 |
| Packing unit | 20 pcs |
| Quantity unit | pcs |
| Weight | 0,141 kg/pc |
| Product group | 02-128 |
| Price unit | 1 |

QR code



Specification

| | |
|------------------|---|
| Application area | quick-fixing system for direct pipe clamp attachment to Stex profile rails with permanently integrated threaded bolt and nut. |
|------------------|---|

Technical data

| | |
|----------------|------------|
| Material | Steel |
| Material type | S235 |
| Surface | galvanized |
| Strength class | 4.6 |

Product details

| | |
|---------------|-------|
| Thread | M8 |
| Length thread | 70 mm |
| Usable length | 31 mm |