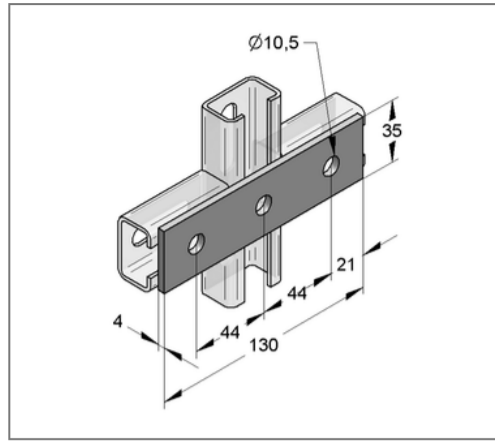
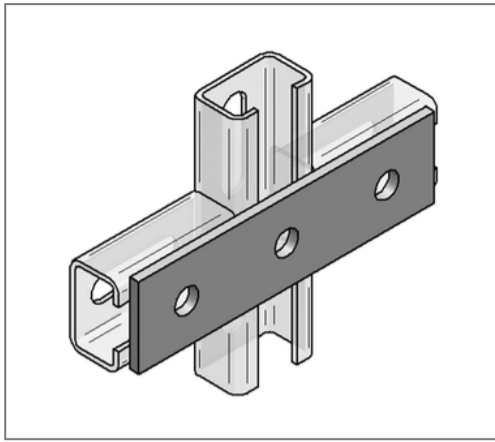


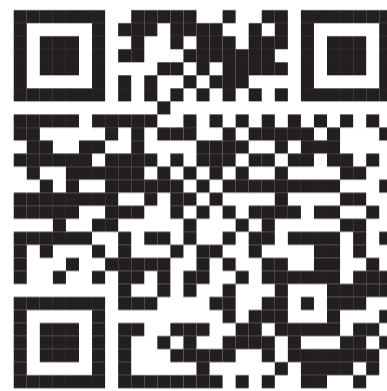
■ Flat connector 3-hole for C-profile 35, Stex 35 Hole 10,5 mm



Commercial details

Part no.	0814457
EAN/GTIN	4250928420008
Packing unit	25 pcs
Quantity unit	pcs
Weight	0,137 kg/pc
Product group	02-081
Price unit	1

QR code



Specification

Application area	For butt joints in the rail plane.
Profile type	35, Stex 35

Technical data

Material	Steel
Material type	S235
Surface	galvanized

Product details

Width	35 mm
Length	130 mm
Hole-Ø	10,5 mm
Thickness	4 mm