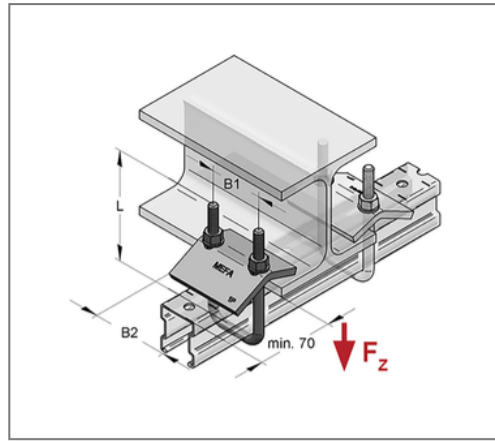
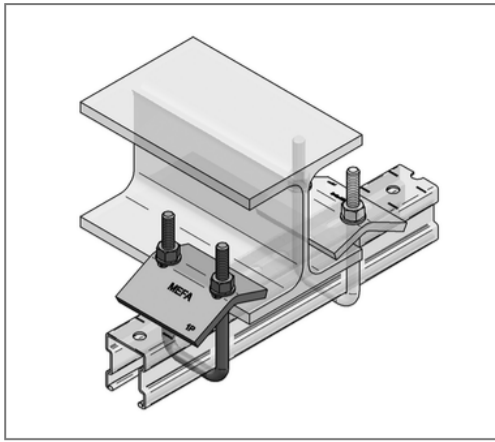


## ■ Clamping bow M8 C-profile 35 Profile height 20 - 42 Clamping thickness 26 mm



### Commercial details

Part no.	0816710
EAN/GTIN	4250928420459
Packing unit	20 pcs
Quantity unit	pcs
Weight	0,307 kg/pc
Product group	02-081
Price unit	1

### QR code



### Specification

Application area	for mounting of C-profile rail on steel girder
Profile type	35, Stex 35

### Technical data

Material	Steel
Material type	ST 36 FK 4.6
Surface	galvanized

### Product details

load $F_z$	3,5 kN
Thread	M8
max. clamping thickness	26 mm
Tightening torque	8 Nm
Profile height	20 - 42 mm
Center distance U-bolt B1	48 mm
Width tensioning bracket B2	70 mm
Length U-bolt L	100 mm
min. edge distance	70 mm