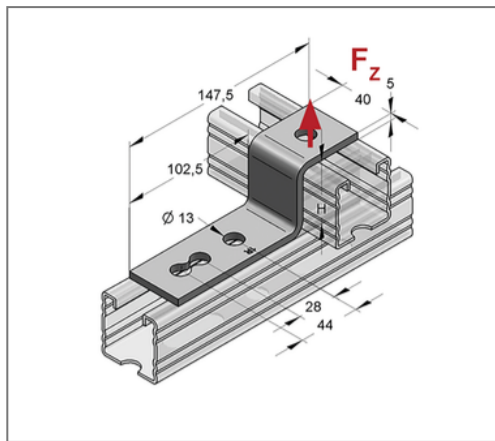
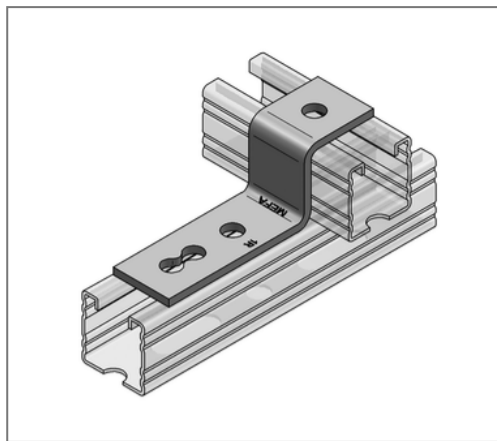


## ■ Step angle 3-hole C-profile 45 Rail height 60 mm



### Commercial details

Part no.	08141300
EAN/GTIN	4250928419842
Packing unit	25 pcs
Quantity unit	pcs
Weight	0,301 kg/pc
Product group	02-081
Price unit	1

### QR code



### Specification

Application	Connecting component for fixing two crossing area
	profile rails.

### Technical data

Material	Steel
Material type	S235
Surface	galvanized

### Product details

Height	60 mm
load $F_z$	1 kN