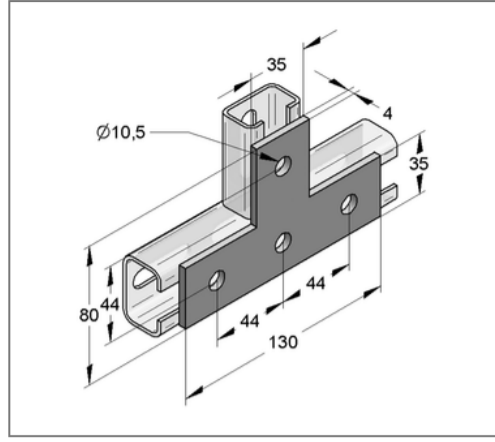
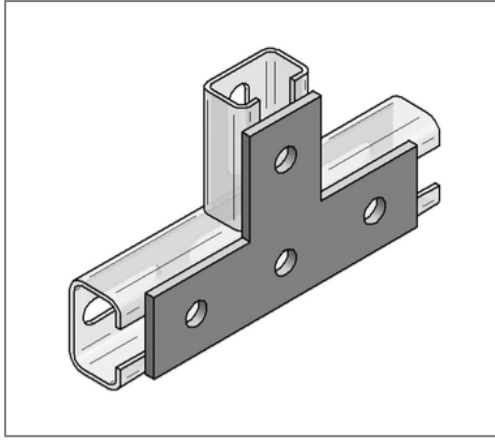


## ■ Flat connector T-shape for C-profile 35, Stex 35 Hole 10,5 mm



### Commercial details

Part no.	0814449
EAN/GTIN	4250928419996
Packing unit	25 pcs
Quantity unit	pcs
Weight	0,185 kg/pc
Product group	02-081
Price unit	1

### QR code



### Specification

Application area	For butt joints in the rail plane.
Profile type	35, Stex 35

### Technical data

Material	Steel
Material type	S235
Surface	galvanized

### Product details

Width	80 mm
Length	130 mm
Hole-Ø	10,5 mm
Thickness	4 mm