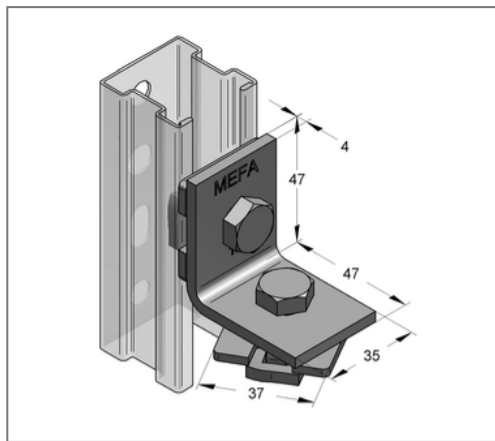
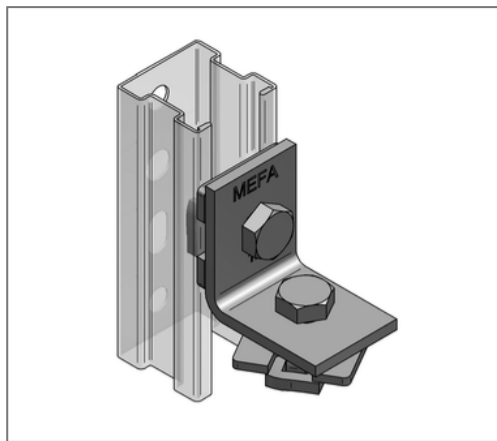


## ■ Universal angle 2-hole Stex 35 90 ° Wing 47 x 47 mm



### Commercial details

Part no.	127201801
EAN/GTIN	4250928448156
Packing unit	25 pcs
Quantity unit	pcs
Weight	0,216 kg/pc
Product group	02-127
Price unit	1

### QR code



### Specification

Application area	quick-fixing angle for connecting two Stex profile rails.
------------------	---

### Technical data

Material	Steel
Material type	S235
Surface	galvanized

### Product details

Hole-Ø	8,5 mm
Profile type	Stex 35
Material thickness	4 mm
Width material	35 mm
Length wing 1	47 mm
Length wing 2	47 mm
Angle	90 °