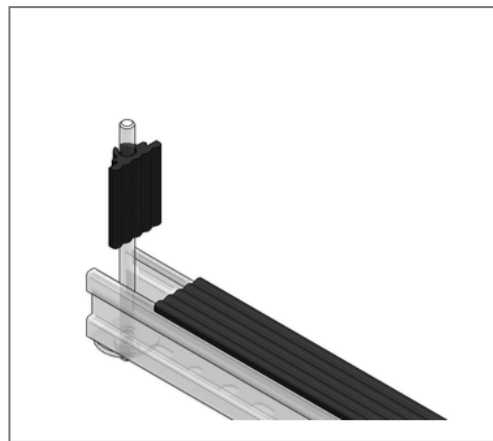
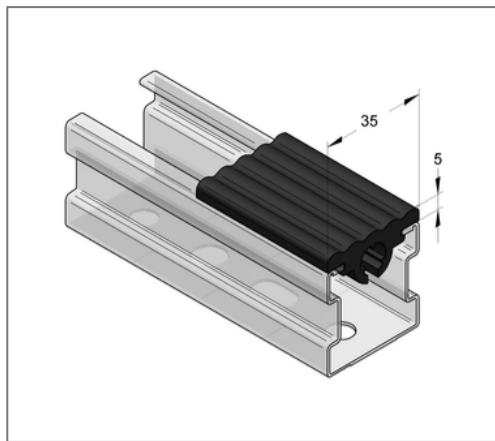
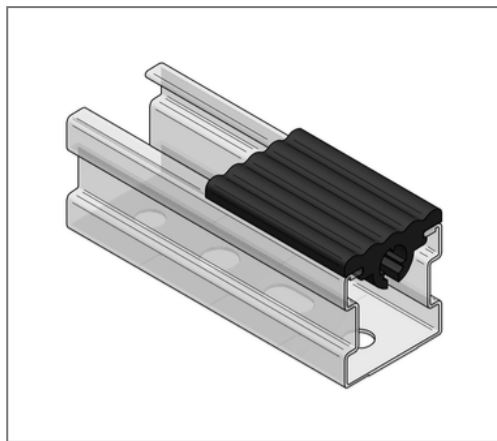


## ■ C-profile lining C-profile Stex 35 20 m Plastic



### Commercial details

Part no.	1272019
EAN/GTIN	4250928424372
Packing unit	20 m
Quantity unit	m
Weight	0,328 kg/m
Product group	02-127
Price unit	1

### QR code



### Certification



### Specification

Application	c-profile lining between profile rail and part to be supported (e.g. ventilation ducts).
Type of attachment	clamping

### Technical data

Material	Plastic
Material type	TPE
min. temperature resistance	-35 °C
max. temperature resistance	100 °C
Colour	black

### Product details

Width	35 mm
Length	20 m