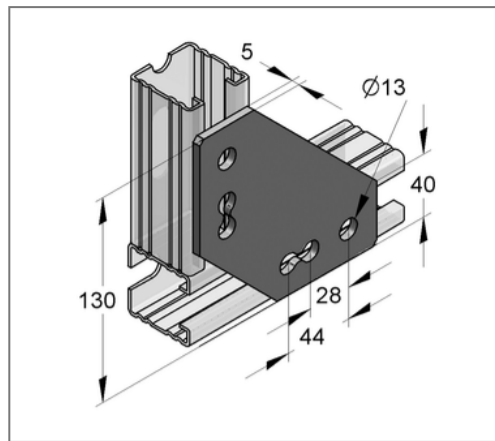
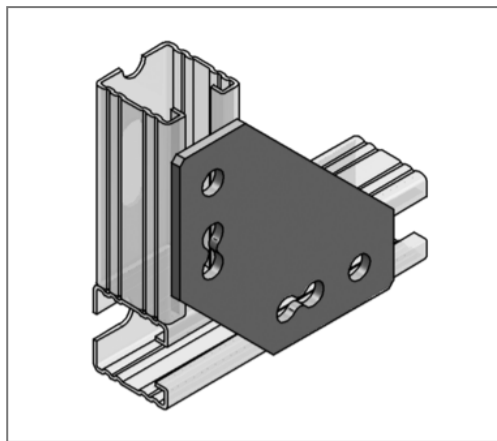


■ Corner plate for C-profile 45 Hole 13 mm



Commercial details

Part no.	08165900
EAN/GTIN	4250928420411
Packing unit	10 pcs
Quantity unit	pcs
Weight	0,417 kg/pc
Product group	02-081
Price unit	1

QR code



Specification

Application area	For butt joints in the rail plane.
Profile type	45

Technical data

Material	Steel
Material type	S235
Surface	galvanized

Product details

Width	40 mm
Length	130 mm
Hole-Ø	13 mm
Thickness	5 mm