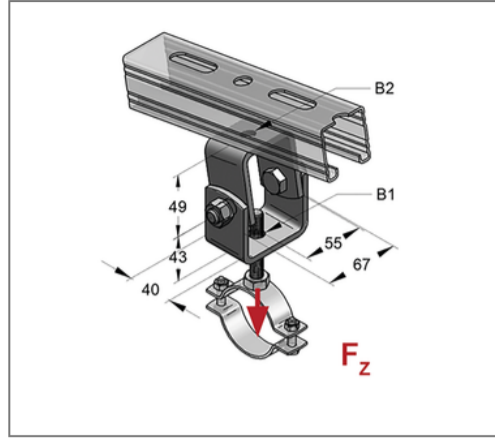
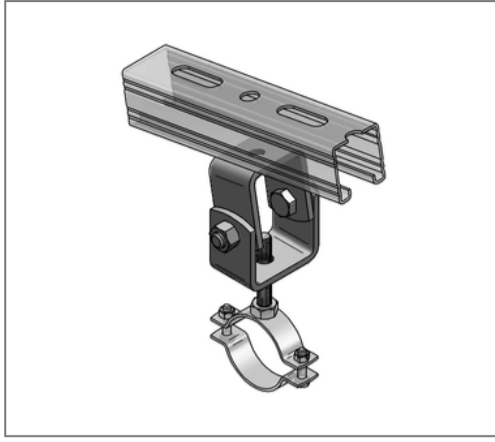


## ■ Joint holder Terminal hole Connection holes for M8-M12 & M16



### Commercial details

Part no.	081208001
EAN/GTIN	4250928466648
Packing unit	15 pcs
Quantity unit	pcs
Weight	0,595 kg/pc
Product group	02-081
Price unit	1

### QR code



### Specification

Application area	Bracket for bracing threaded rods or on sloping roof and floor structures.
Type of attachment	On sloping roof and floor structures

### Technical data

Material	Steel
Material type	S235
Surface	galvanized

### Product details

load $F_z$	10 kN
Connection B1	M8-M12
Connection B2	M16
Terminal hole B1	13 mm
Terminal hole B2	17 mm