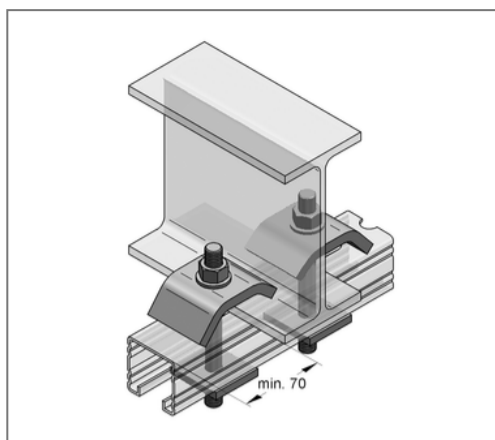
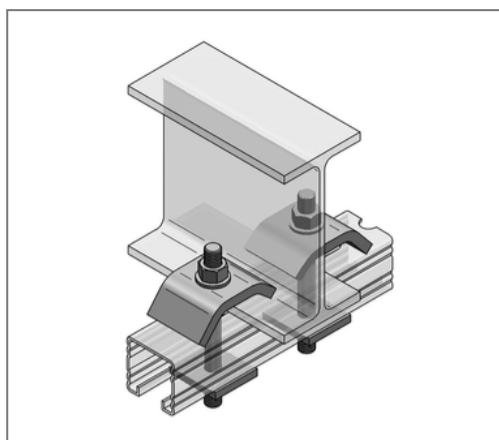


■ Clamping claw Set C-profile 35 max. profile height 42 mm Clamping thickness 26 mm



Commercial details

Part no.	0814595
EAN/GTIN	4250928420077
Packing unit	20 pcs
Quantity unit	pcs
Weight	0,549 kg/pc
Product group	02-081
Price unit	1

QR code



Specification

Application	clamping claws for making a firm clamping area
Profile type	35, Stex 35

Technical data

Material	Steel
Material type	S235
Surface	galvanized