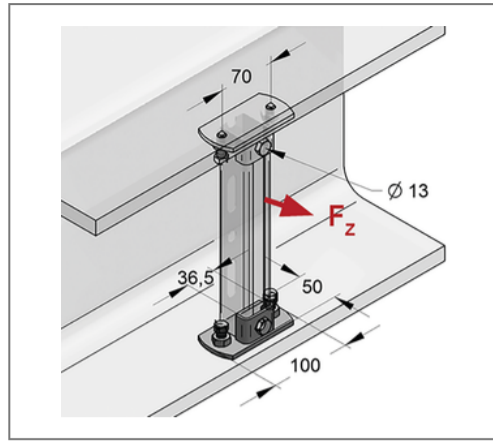
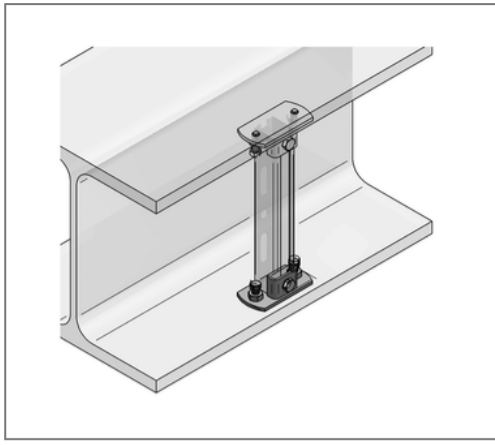


## ■ Beam clamping device C-profile 35 for profile 35/21, Stex 35/35 + 35/42



### Commercial details

|               |               |
|---------------|---------------|
| Part no.      | 9999695       |
| EAN/GTIN      | 4250928448460 |
| Packing unit  | 20 pcs        |
| Quantity unit | pcs           |
| Weight        | 0,301 kg/pc   |
| Product group | 02-081        |
| Price unit    | 1             |

### QR code



### Specification

|                         |  |
|-------------------------|--|
| Application area        | for clamped fixation at steel girder (IPE 120 or U 160)  |
| Profile type            | 35/21, Stex 35/35 + 35/42  |
| Recommended accessories | threaded square plate 35x30 (Beam clamping device L 45)<br>threaded square plate 30x22 (Beam clamping device 35) |

### Technical data

|               |            |
|---------------|------------|
| Material      | Steel      |
| Material type | S235       |
| Surface       | galvanized |

### Product details

|                               |        |
|-------------------------------|--------|
| Width                         | 50 mm  |
| Length                        | 100 mm |
| Hole-Ø                        | 13 mm  |
| Tightening torque             | 25 Nm  |
| Center distance screw         | 70 mm  |
| load $F_z$ 35/21 (L = 400 mm) | 2 kN   |
| load $F_z$ 35/35 (L = 400 mm) | 2 kN   |
| load $F_z$ 35/42 (L = 400 mm) | 3 kN   |