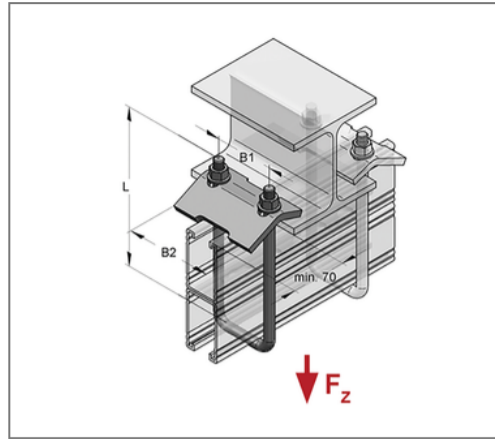
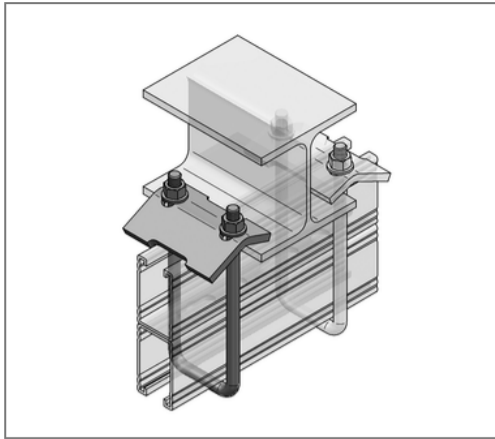


■ Clamping bow M12 C-profile 45 Profile height 75 - 90 Clamping thickness 29 mm



Commercial details

Part no.	08167401
EAN/GTIN	4250928420480
Packing unit	20 pcs
Quantity unit	pcs
Weight	0,749 kg/pc
Product group	02-081
Price unit	1

QR code



Specification

Application area	for mounting of C-profile rail on steel girder
Profile type	45

Technical data

Material	Steel
Material type	ST 36 FK 4.6
Surface	galvanized

Product details

load F_z	7 kN
Thread	M12
max. clamping thickness	29 mm
Tightening torque	30 Nm
Profile height	75 - 90 mm
Center distance U-bolt B1	59 mm
Width tensioning bracket B2	110 mm
Length U-bolt L	150 mm
min. edge distance	70 mm