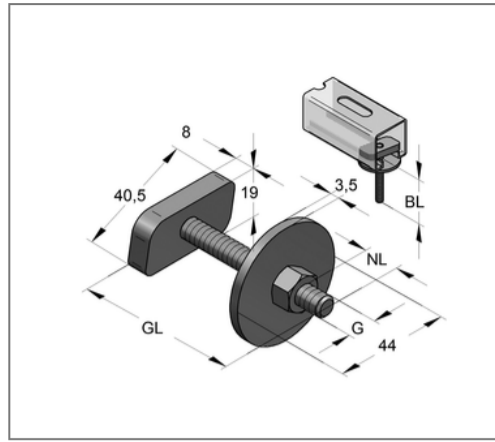
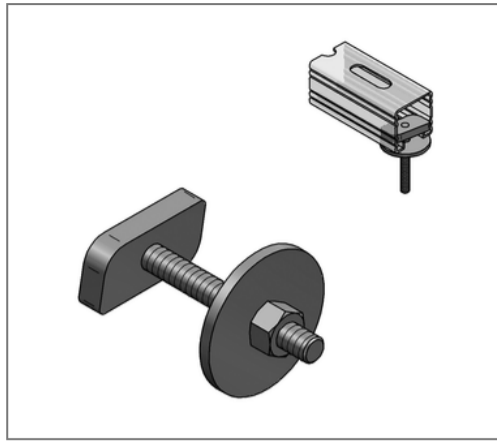


■ Hammer head C-profile 45 M10 x 35 mm



Commercial details

Part no.	0699235
EAN/GTIN	4250928415912
Packing unit	50 pcs
Quantity unit	pcs
Weight	0,109 kg/pc
Product group	02-069
Price unit	100

QR code



Specification

Application area	Direct attachment of pipe clamps to profile rails.
Profile type	45
Type of attachment	glide fast connection

Technical data

Material	Steel
Material type	S235
Surface	galvanized

Product details

Thread G	M10
Length thread GL	35 mm
Usable length NL	8 mm
Overall length BL	19,5 mm
Length hammer head	40,5 mm
Width hammer head	19 mm
Thickness hammer head	8 mm
Diameter washer	44 mm
Thickness washer	3,5 mm