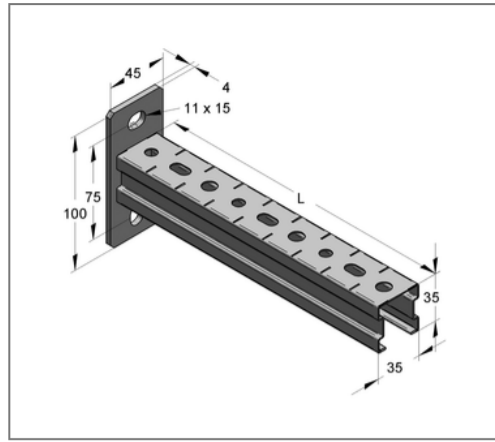
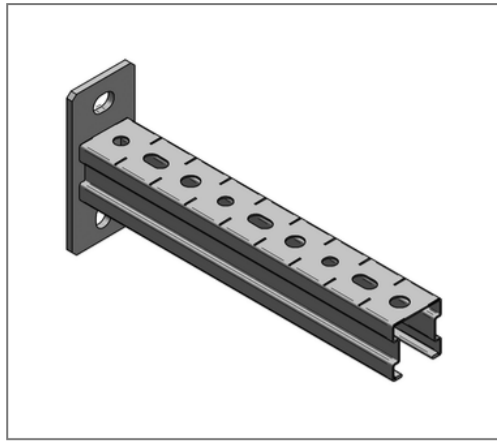


■ Console Stex 35/35 L= 300 mm Plate vertical galv.



Commercial details

Part no.	1274300
EAN/GTIN	4250928424495
Packing unit	25 pcs
Quantity unit	pcs
Weight	0,440 kg/pc
Product group	02-127
Price unit	1

QR code



Specification

Application area	Console for the production of cantilever structures for the support of suspended and standing pipe loads.
------------------	---

Technical data

Material	Steel
Surface	galvanized

Product details

Width plate	45 mm
Length plate	100 mm
Hole distance	75 mm
Plate thickness	4 mm
Width profile	35 mm
Profile height	35 mm
Length console L	300 mm
Elongated hole plate	11x15 mm
load F1	1,02 kN
load F2	0,51 kN
load q0	3,41 kN/m
Profile thickness	1 mm