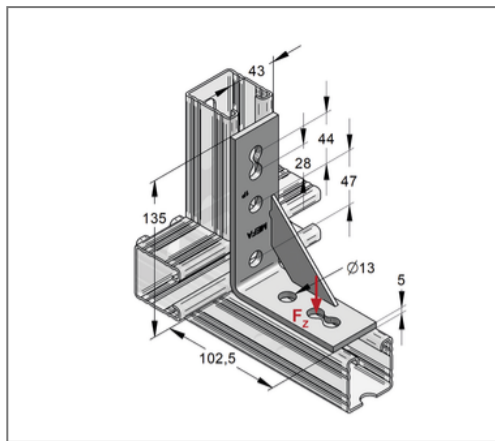
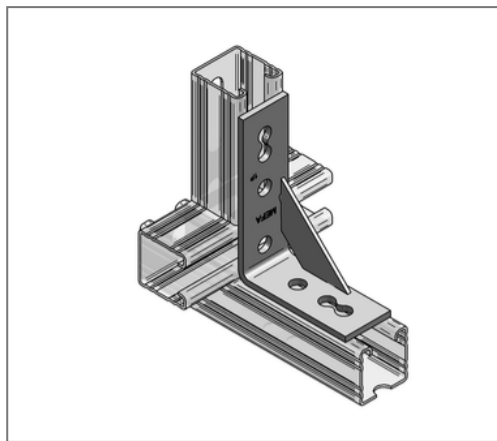


## ■ Knot triangle 5-hole C-profile 45 90 ° Wing 135 x 102,5 mm



### Commercial details

Part no.	08141702
EAN/GTIN	4250928469458
Packing unit	25 pcs
Quantity unit	pcs
Weight	0,401 kg/pc
Product group	02-081
Price unit	1

### QR code



### Specification

Application area	Angle components for connecting profile rails.
Profile	C-profile

### Technical data

Material	Steel
Material type	S235
Surface	galvanized

### Product details

Hole-Ø	13 mm
Profile type	45
Material thickness	5 mm
Width material	43 mm
Length wing 1	135 mm
Length wing 2	102,5 mm
load $F_z$ without profile	2 kN
load $F_z$ with profile	6 kN
Angle	90 °