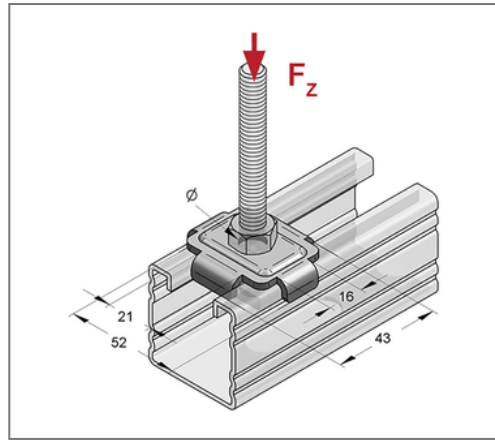
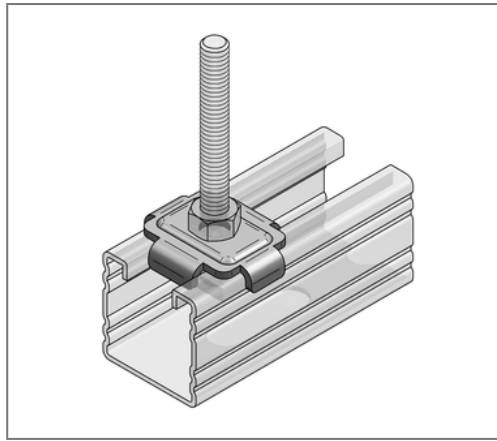


■ Profile holder combi Hole 17 mm For thread M16



Commercial details

Part no.	08163365
EAN/GTIN	4250928420299
Packing unit	100 pcs
Quantity unit	pcs
Weight	0,0457 kg/pc
Product group	02-081
Price unit	1

QR code



Certification



Specification

Application area	Connecting component for fixing two profile rails lying on top of each other or for rail mounting on the building structure. Prevents the profile rail from bending up.
Profile type	35, 45, Stex 35

Technical data

Material	Stahl
Material type	S235
Surface	galvanisch verzinkt

Product details

For thread	M16
load F_z	4,7 kN
Tightening torque	10 Nm
Hole- \emptyset	17 mm
Length W	52 mm
Width B	43 mm
Höhe H	10,1 mm
Claw width 1	21 mm
Claw width 2	16 mm
Material thickness S	3 mm