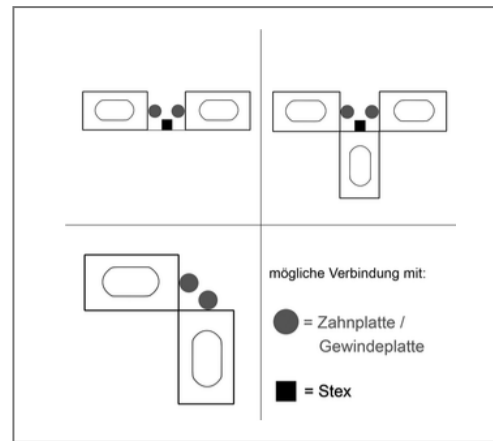
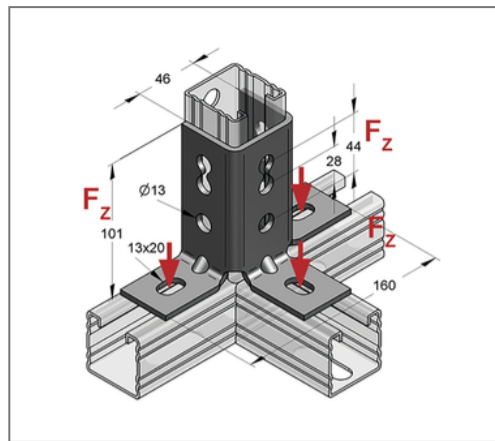
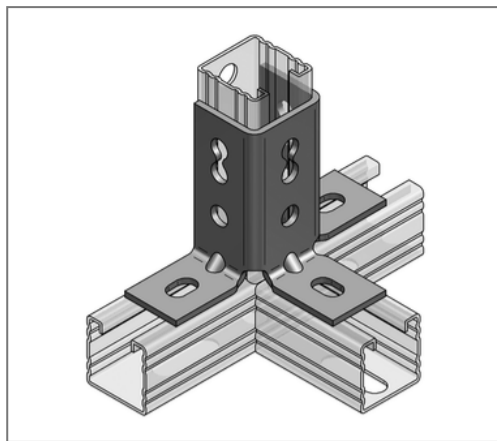


## ■ Angle connector C-profile 45 90°+180° Number of wings 3



### Commercial details

Part no.	08123000
EAN/GTIN	4250928419668
Packing unit	15 pcs
Quantity unit	pcs
Weight	0,548 kg/pc
Product group	02-081
Price unit	1

### QR code



### Specification

Application area	for connecting profile rails.
Profile	C-profile
Profile type	45
Number of wings	3

### Technical data

Material	Steel
Material type	S235
Surface	galvanized

### Product details

load $F_z$ without profile	2,5 kN
load $F_z$ with profile	4 kN
Material thickness	4 mm
Arrangement rail 1	90 °
Arrangement rail 2	180 °
Elongated hole	20 mmx13
Length wing	56,5 mm
Width wing	45 mm
Hole-Ø	13 mm