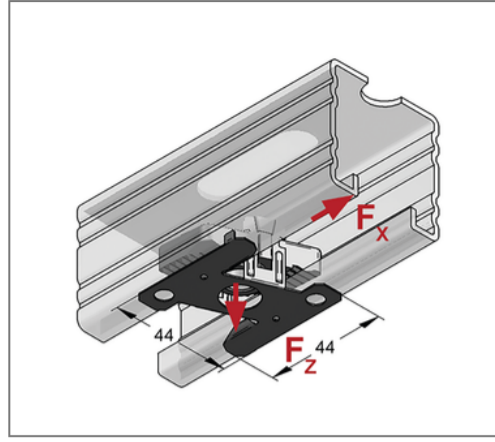
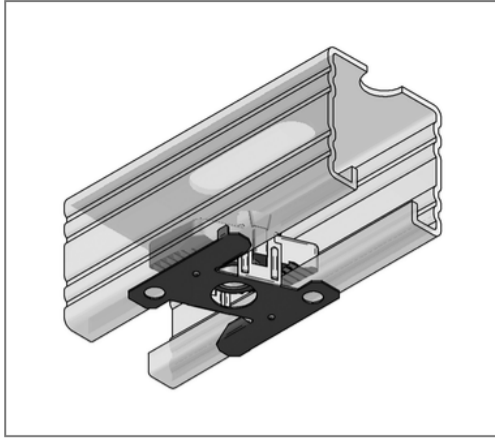


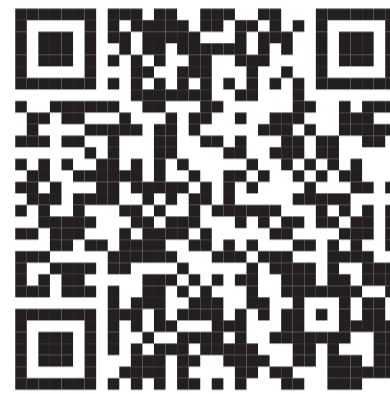
■ Stex 45 mounting plate MP M10 galv.



Commercial details

Part no.	1280010
EAN/GTIN	4250928424686
Packing unit	30 pcs
Quantity unit	pcs
Weight	0,0553 kg/pc
Product group	02-128
Price unit	1

QR code



Certification



Technical data

Material	Steel
Material type	S235
Surface	galvanized

Product details

Loading capacity	see loads in the catalogue
Length	44 mm
Width	44 mm
Thread	M10
Profile type	45
Shape	pivoted