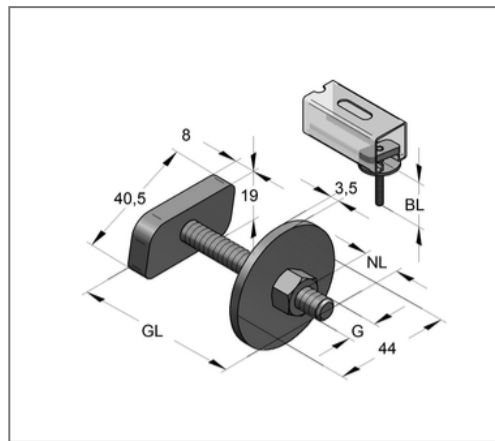
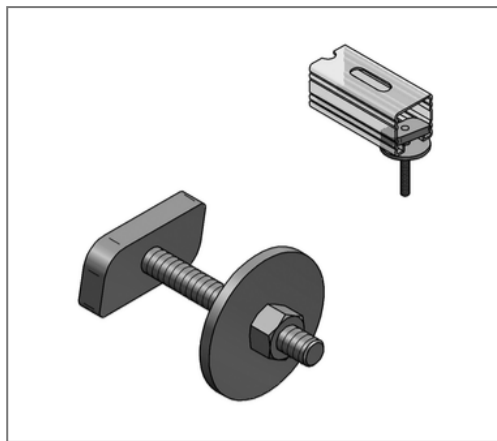


■ Hammer head C-profile 45 M12 x 70 mm



Commercial details

Part no.	0699770
EAN/GTIN	4250928415967
Packing unit	50 pcs
Quantity unit	pcs
Weight	0,145 kg/pc
Product group	02-069
Price unit	100

QR code



Specification

Application area	Direct attachment of pipe clamps to profile rails.
Profile type	45
Type of attachment	glide fast connection

Technical data

Material	Steel
Material type	S235
Surface	galvanized

Product details

Thread G	M12
Length thread GL	70 mm
Usable length NL	41 mm
Overall length BL	55 mm
Length hammer head	40,5 mm
Width hammer head	19 mm
Thickness hammer head	8 mm
Diameter washer	44 mm
Thickness washer	3,5 mm