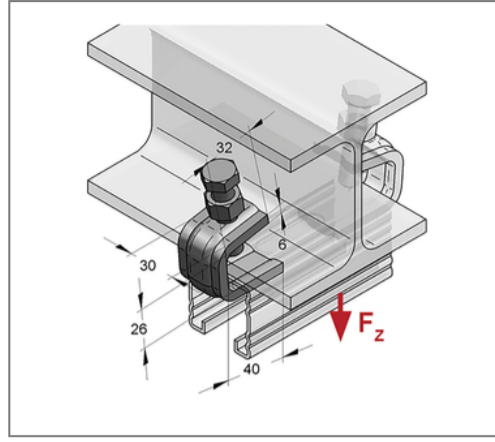
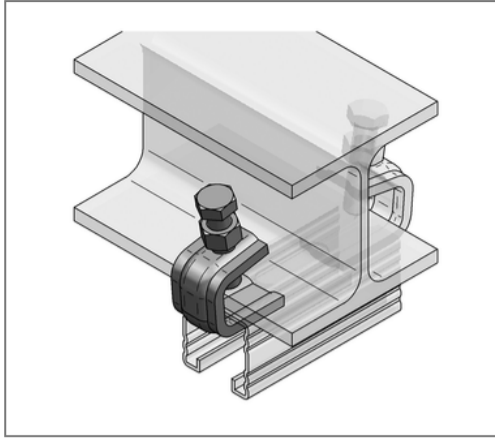


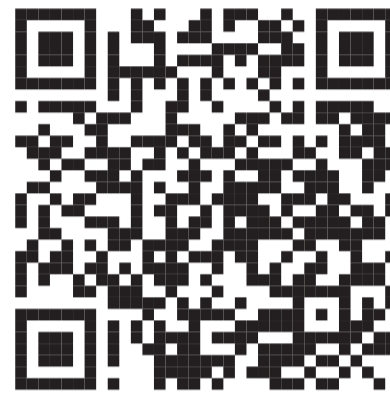
■ Rail clamp C-profile 35-45 max. clamping thickness 23 mm



Commercial details

Part no.	0816477
EAN/GTIN	4250928420336
Packing unit	20 pcs
Quantity unit	pcs
Weight	0,226 kg/pc
Product group	02-081
Price unit	1

QR code



Specification

Application area	for mounting the C-profile rail on steel girder
pre-load	8 Nm

Technical data

Material	Steel
Material type	St 44-2
Surface	galvanized
Screw type	M12, SW 19
Type screw nut	M12x50, SW19

Product details

Width	30 mm
Height	26 mm
load F_z	5 kN
Thickness	6 mm
max. clamping thickness	23 mm