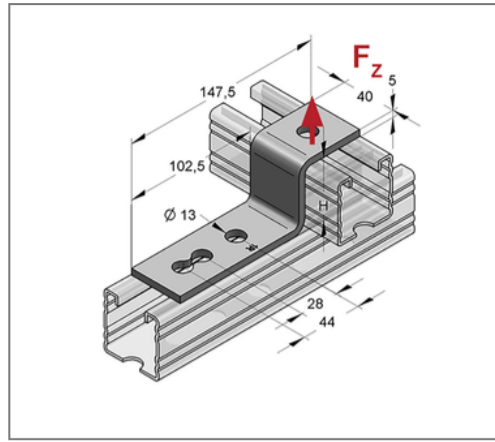
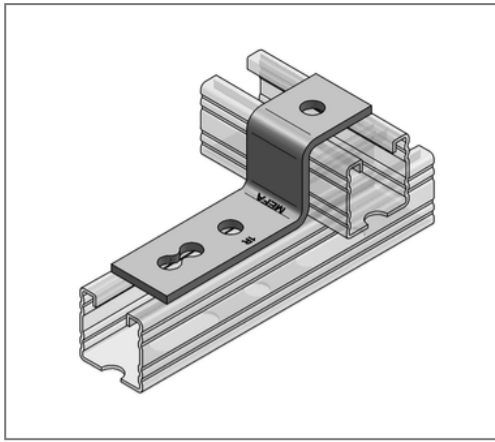


■ Step angle 3-hole C-profile 45 Rail height 45 mm



Commercial details

Part no.	08141245
EAN/GTIN	4250928447968
Packing unit	25 pcs
Quantity unit	pcs
Weight	0,277 kg/pc
Product group	02-081
Price unit	1

QR code



Specification

Application	Connecting component for fixing two crossing area
	profile rails.

Technical data

Material	Steel
Material type	S235
Surface	galvanized

Product details

Height	45 mm
load F_z	1 kN