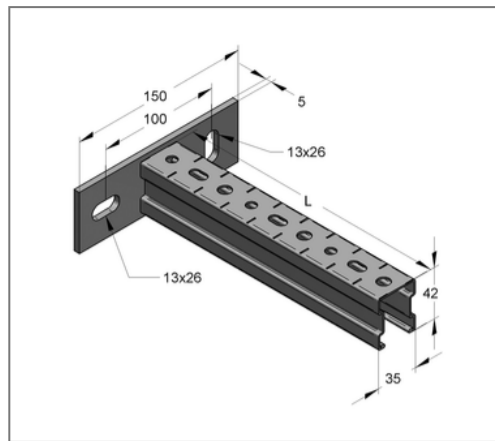


■ Console Stex 35/42 L= 300 mm Plate horizontal galv.



Commercial details

Part no.	127603001
EAN/GTIN	4250928424556
Packing unit	20 pcs
Quantity unit	pcs
Weight	0,765 kg/pc
Product group	02-127
Price unit	1

QR code



Specification

Application area	Console for the production of cantilever structures for the support of suspended and standing pipe loads.
------------------	---

Technical data

Material	Steel
Surface	galvanized

Product details

Width plate	50 mm
Length plate	150 mm
Hole distance	100 mm
Plate thickness	5 mm
Width profile	35 mm
Profile height	42 mm
Length console L	300 mm
Elongated hole plate	13x26 mm
load F1	1,46 kN
load F2	0,73 kN
load q0	4,8 kN/m
Profile thickness	1,5 mm